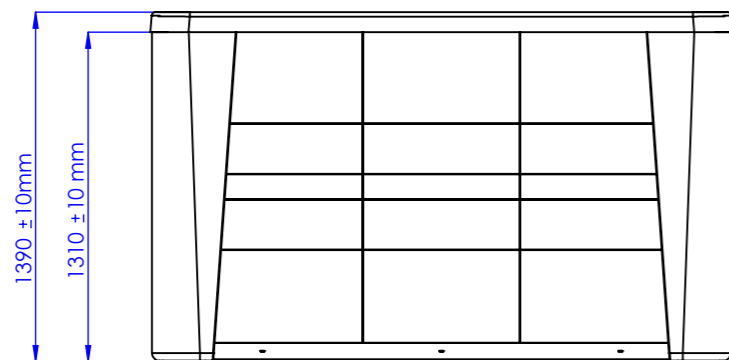
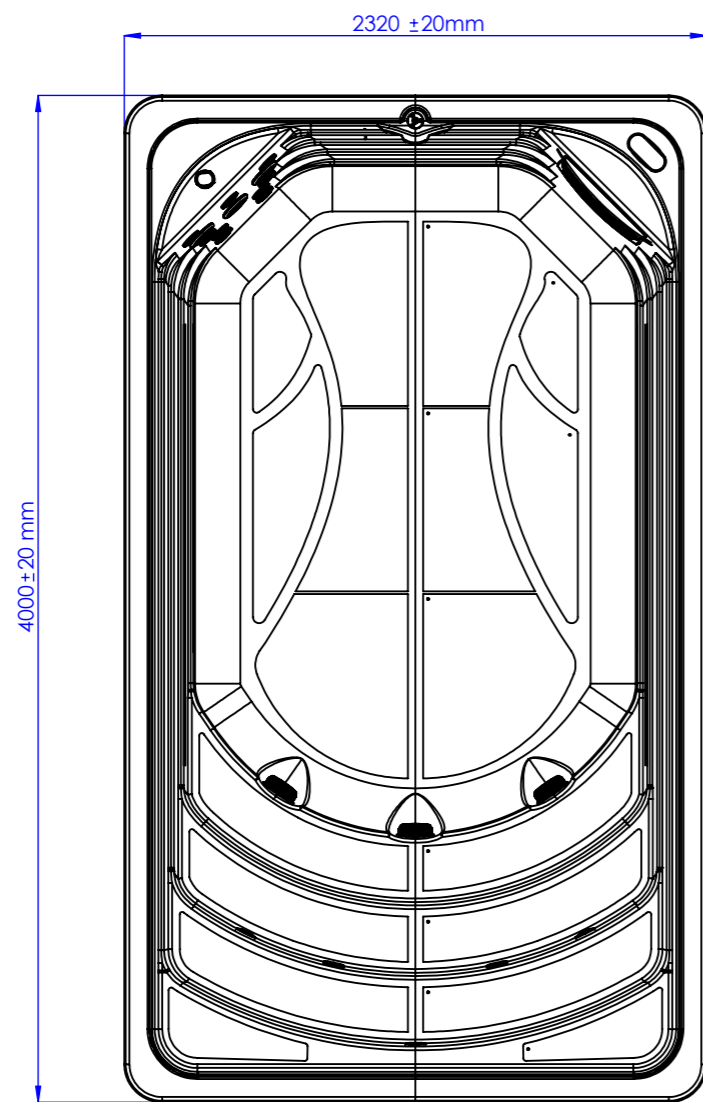


General specifications	
Spa weight (empty)	1.150 Kg
Spa weight (full)	7.150 Kg

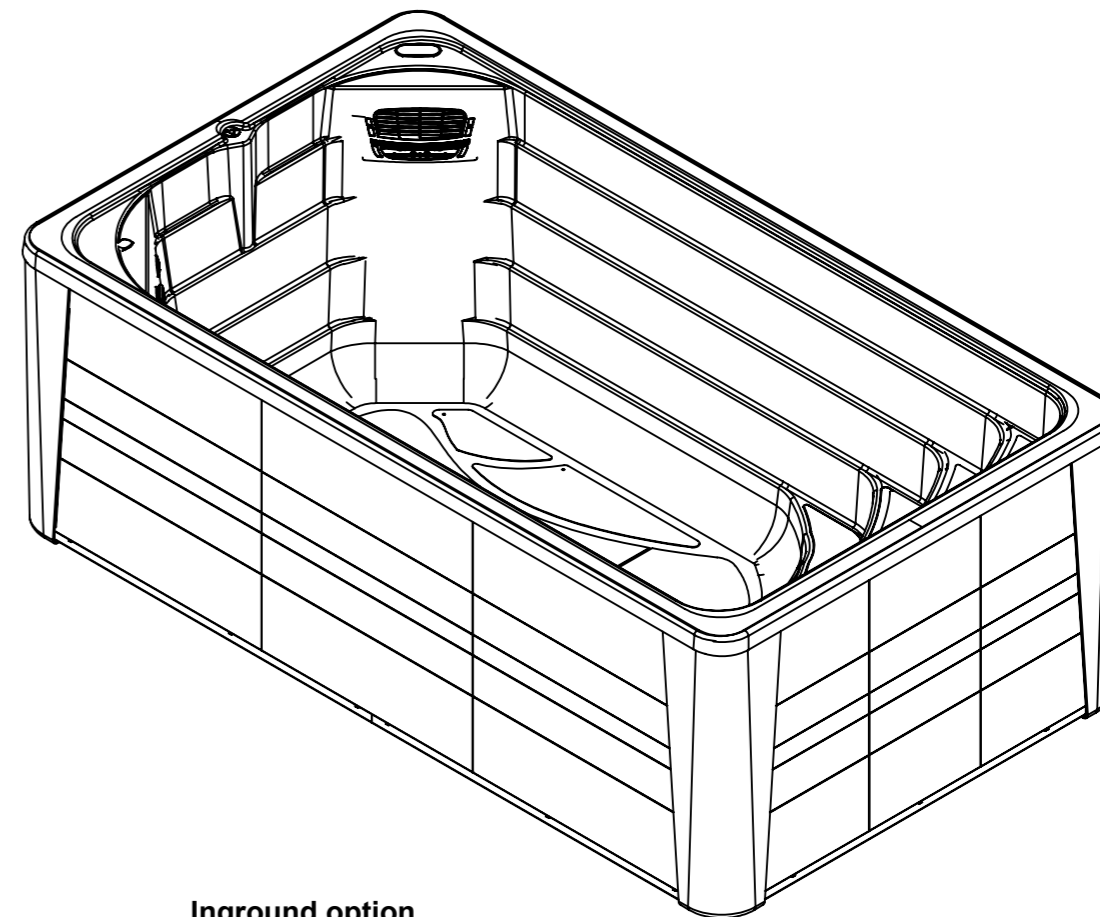


↑
DRAIN



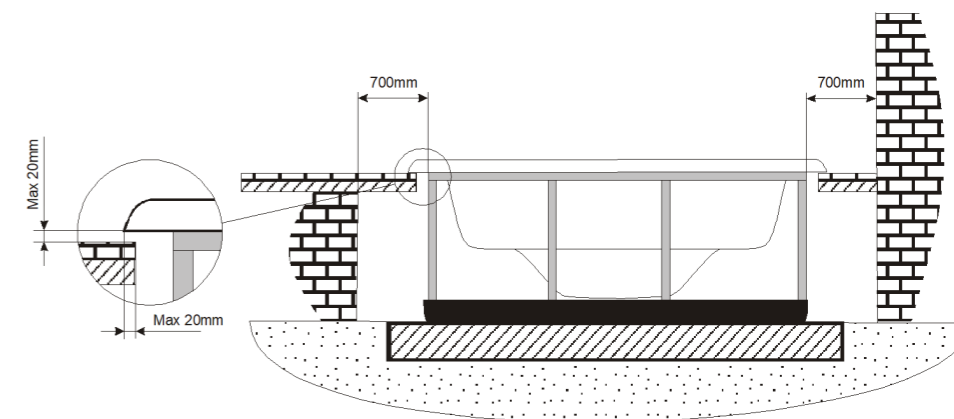
↑
DRAIN

↑ ↑
ELECTRICAL BOARD CONNECTIONS ACCESS



Inground option

WARNING:
It's essential to keep a minimum clearance access of 700mm all around.



According to our policy of continuous improvement, dimensions, features or components of this product can be partially or completely changed without prior notice.
It's Customer responsibility to verify that this is the last version of the drawing

Change No.	Date	Name	Modification				
Remarks				COMMERCIAL			
Dimensions in mm. General Tolerances +/- 10mm							
Drawn	26/04/2021	CF			Part Number		Rev.
Checked	26/04/2021	X.Codina			74237		00
Scale 1:30	General Tolerance						
Sheet 1/2	DIN 7168 ISO 2768g						
First Angle Projection							
Property of IBERSPA S.L. Avda. Pla d'Urgell 2-8 25200 Cervera, Spain. Don't use without permission. Keep this information confidential and use it solely for the permitted purpose.							