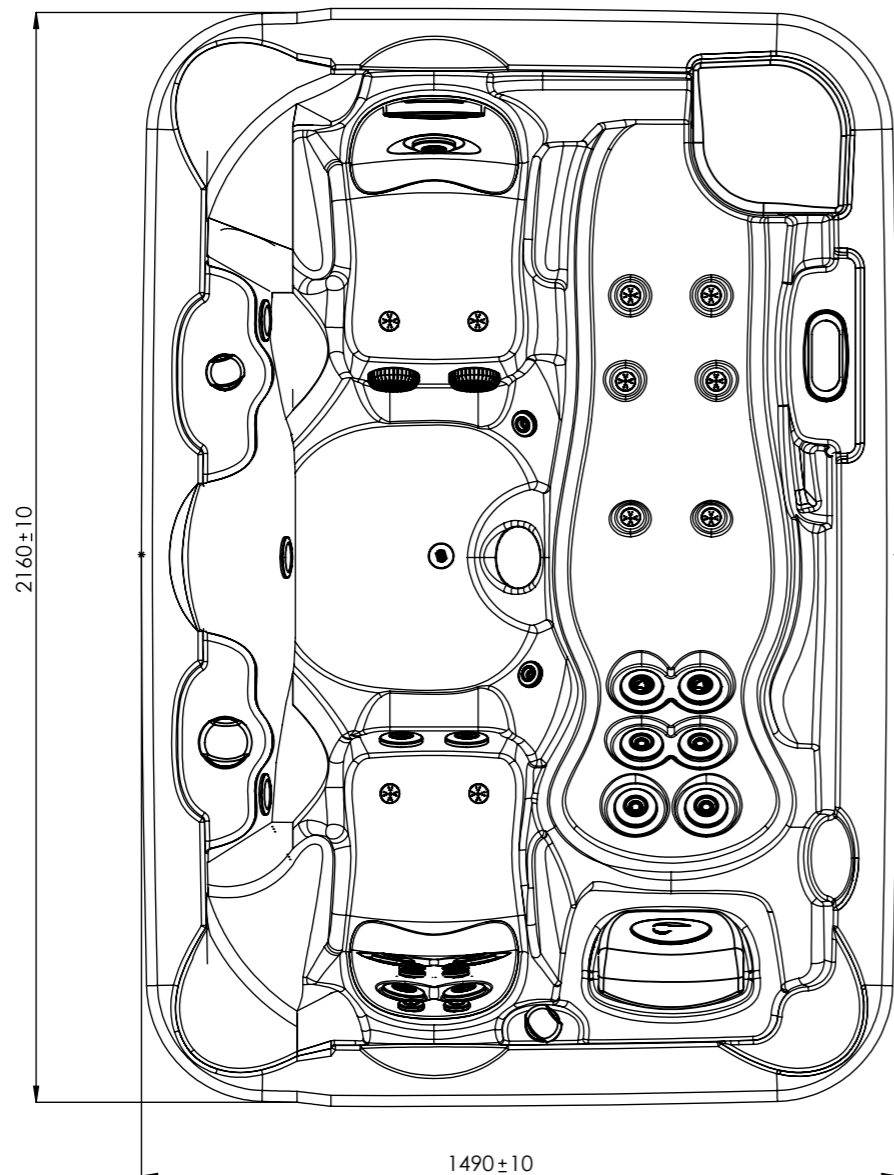
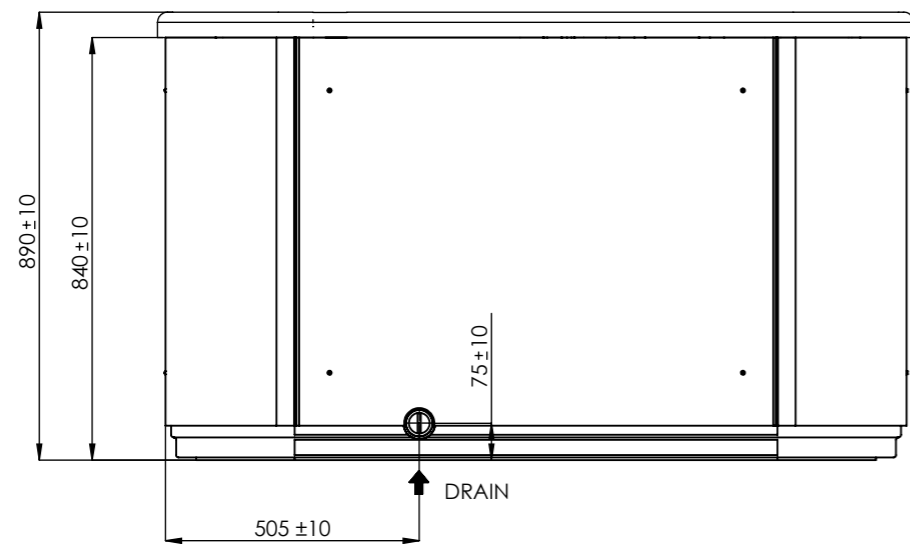
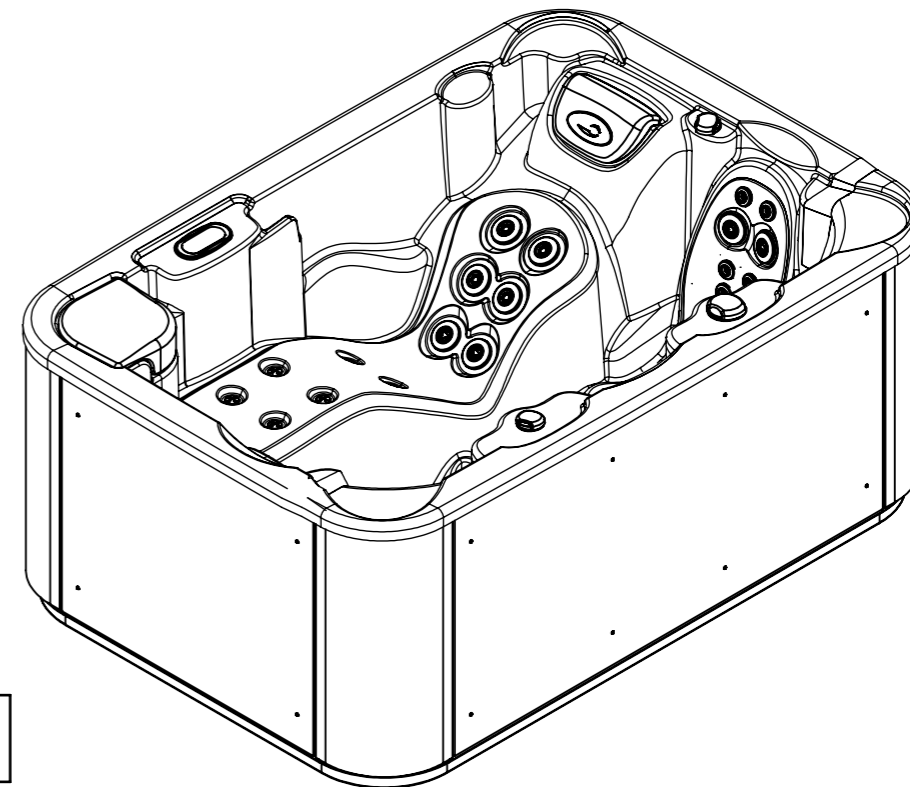


General specifications	
Spa weight (empty)	229 Kg
Spa weight (full)	1.009 Kg



ELECTRICAL BOARD CONNECTIONS ACCESS

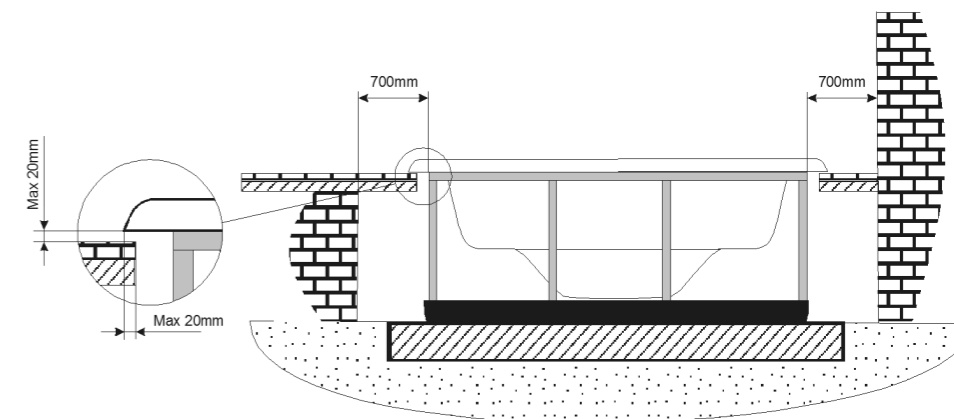
VALID FROM SERIAL NUMBER: **53796**
VALIDO A PARTIR DEL NÚMERO DE SERIE: **53796**




Inground option

WARNING:

It's essential to keep a minimum clearance access of **700mm** all around.



According to our policy of continuous improvement, dimensions, features or components of this product can be partially or completely changed without prior notice. It's Customer responsibility to verify that this is the last version of the drawing

05	14/12/2018	D.Castillo	Spa weight added.
04	27/06/2018	A.Miquel	Jets changed (CMP).
03	05/05/2017	O. Faura	Changing of electronic parts references.
02	12/11/2014	I.Pozo	Change scale and new spare template
01	09/06/2014	I.Pozo	New templates
Change No.	Date	Name	Modification
Remarks			COMMERCIAL
Dimensions in mm. General Tolerances +/- 10mm			
Drawn	09/10/2014	X.Codina	
Checked	-	I.Nicolas	
Scale	1:15	General Tolerance	Part Number
Sheet	1/2	DIN 7168 ISO 2768g	
			Rev.
			05
			First Angle Projection
			